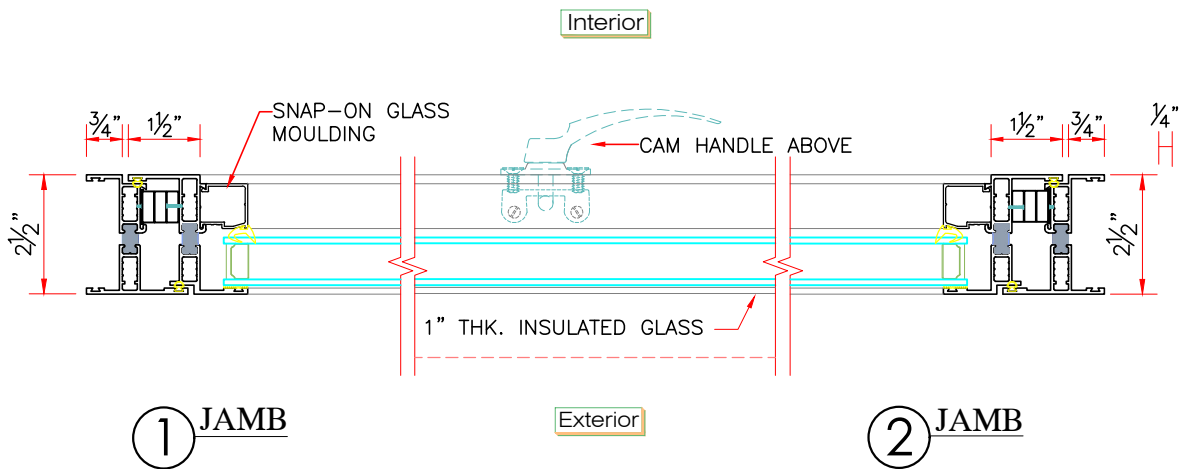
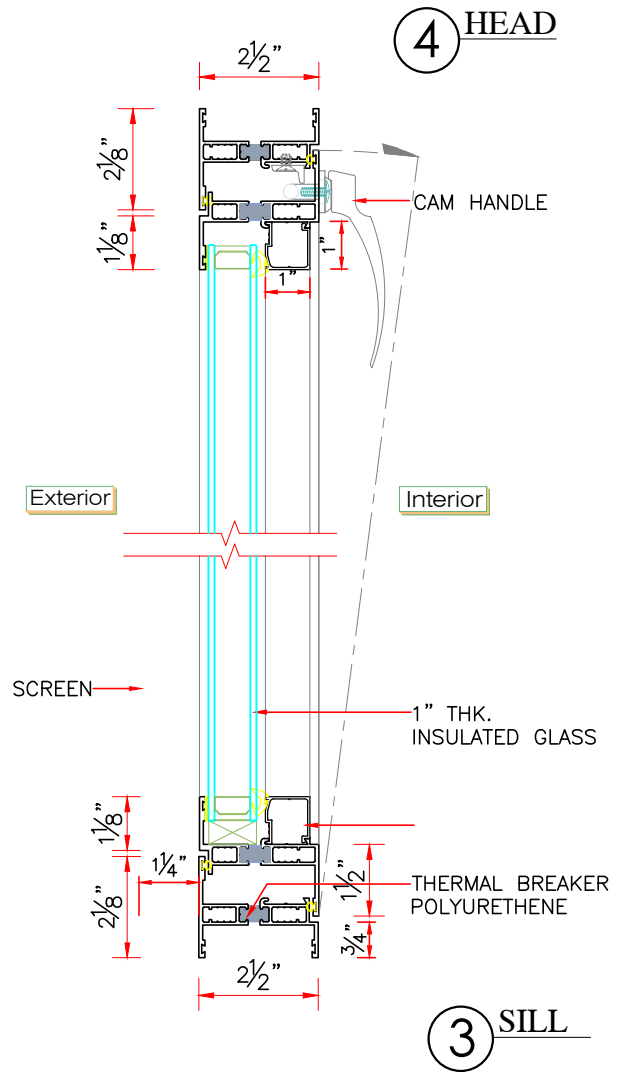


SERIES 5200
HOPPER WINDOW
P-AW40 5'0" x 3'0"



TYPICAL SECTIONAL DETAILS

SHEET #	Drawn by:	Customer	Revisions			WINDOW TECH SYSTEMS 15 OLD STONEBREAK ROAD MALTA, NY 12020 800-999-9855 FAX: 518-899-4104 info@windowtechsystems.net
	Checked by:		No.	Date	Description	
	Date:					
	Scale: 3" = 1'-0"		Project :			