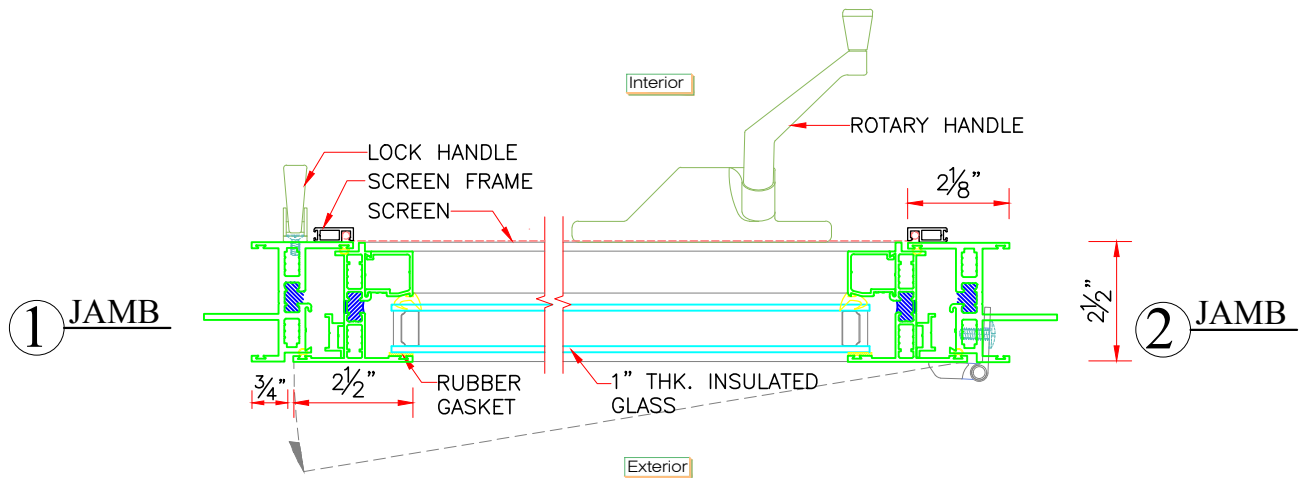
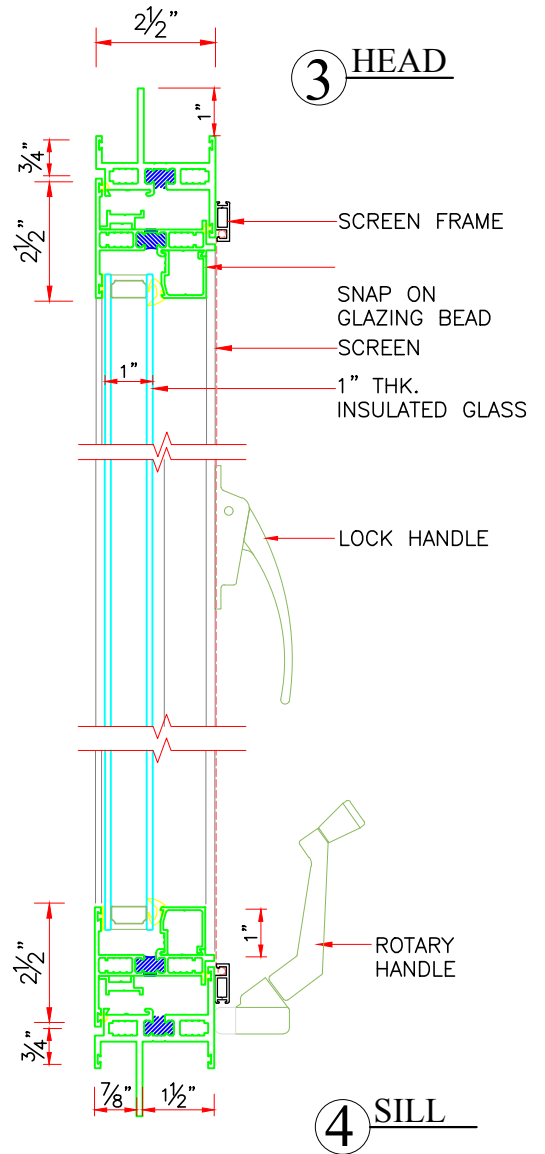


SERIES 5002 OUT-SWING
CASEMENT WINDOW
WITH 1" BLDRS. FIN
LC80 OR CW80
2'8" x 5'0"



TYPICAL SECTIONAL DETAILS

SHEET #	Drawn by:	Customer	Revisions		
	Checked by:		No.	Date	Description
	Date:				
	Scale: 3" = 1'-0"		Project :		
		Window Tech Systems, Inc.			
		15 Old Stonebreak Road, Malta, NY 12020 TEL: (800)999-9855 FAX: (518)899-4104 info@windowtechsystems.net www.windowtechsystems.net			