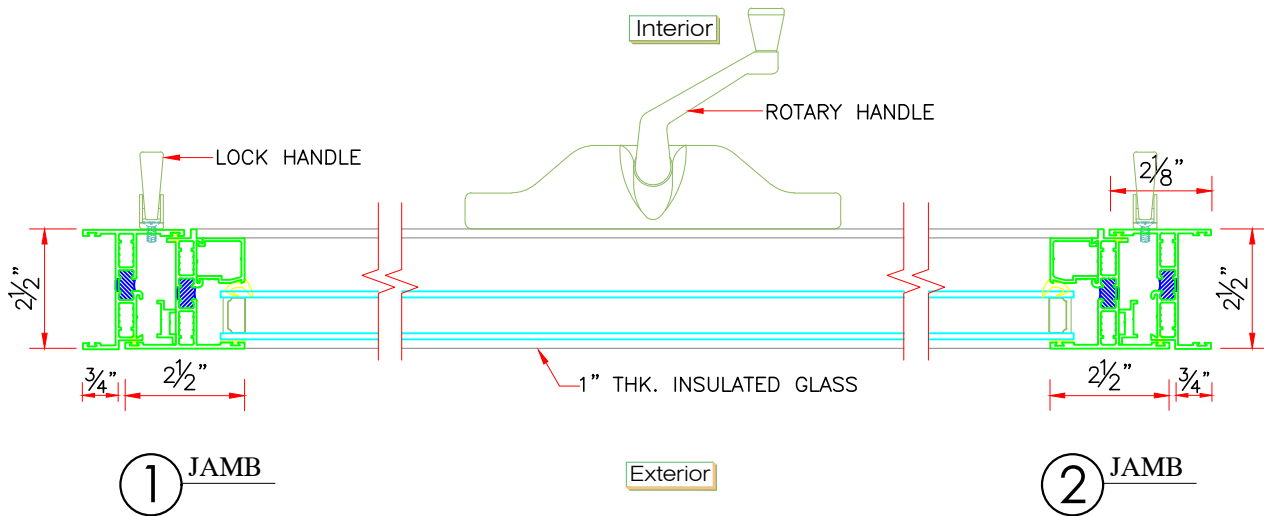
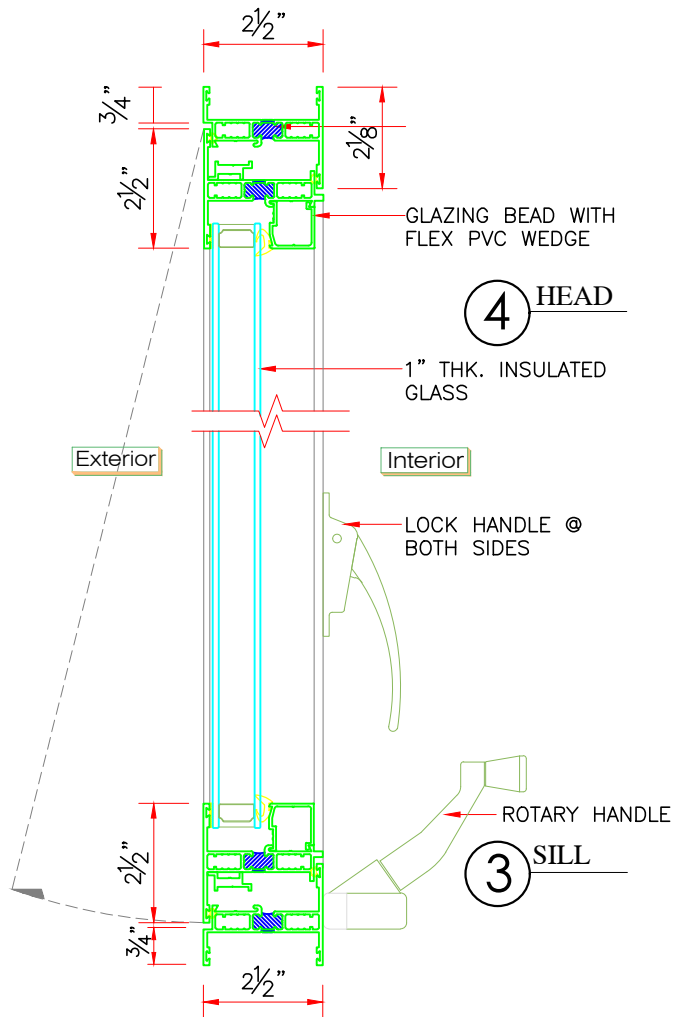


SERIES 5100
AWNING WINDOW
LC100 or CW100
4'0 x 2'8



TYPICAL SECTIONAL DETAILS

SHEET #	Drawn by:	Customer	Revisions			Window Tech Systems 15 Old Stonebreak Road, Malta, NY 12020 800-999-9855 FAX: 518-899-4104 windowtechsystems.net info@windowtechsystems.net
	Checked by:		No.	Date	Description	
	Date:					
	Scale: 3" = 1'-0"					
Project :						