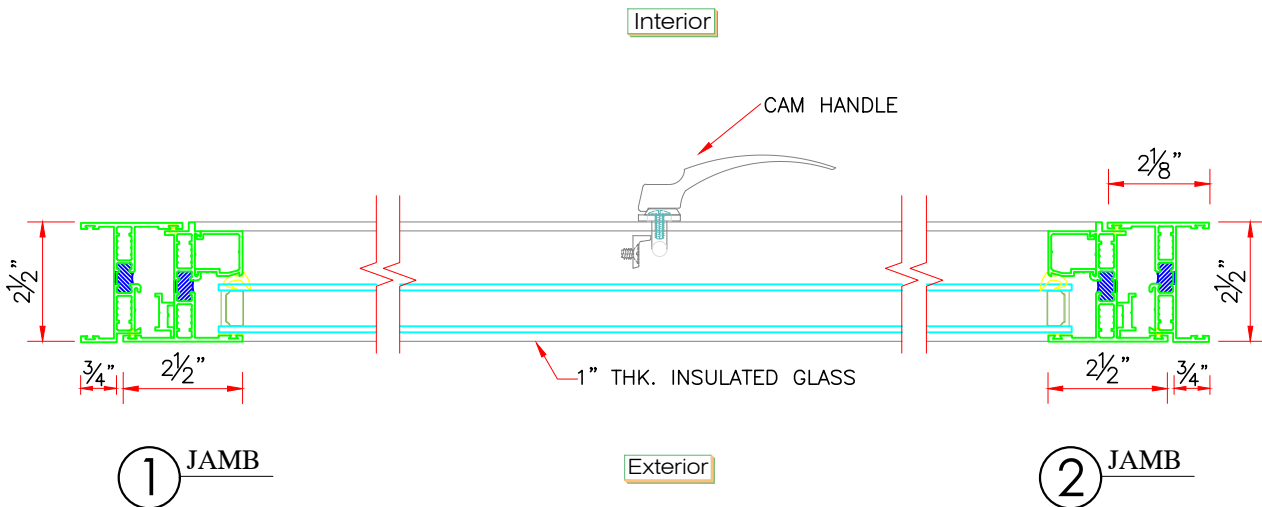
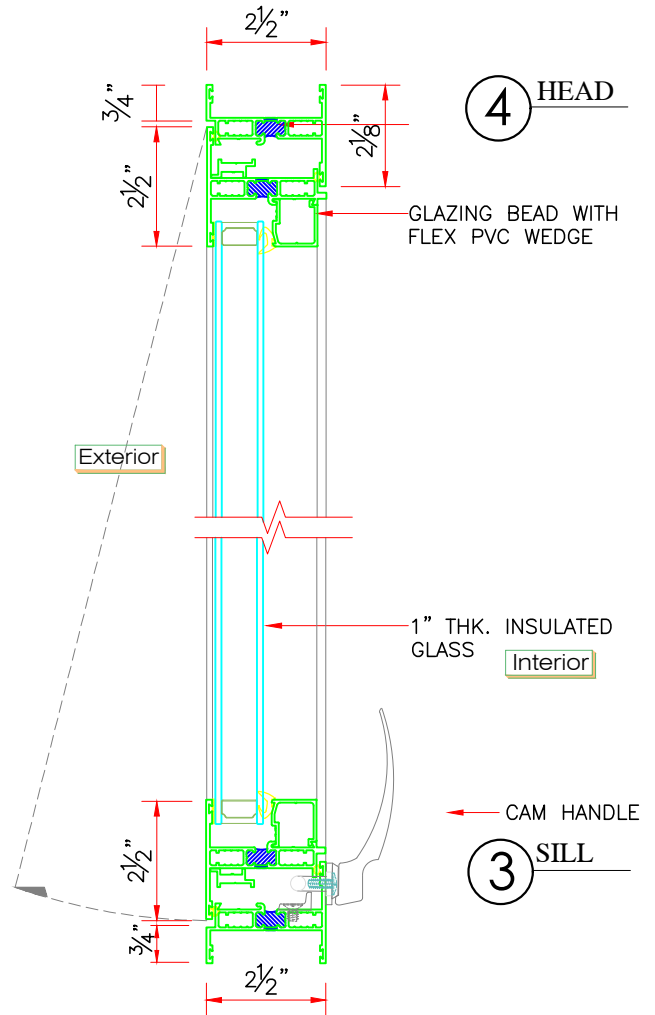


SERIES 5100
AWNING WINDOW
WITH CAM HANDLE
LC100 or CW100
4'0" x 2'8"



TYPICAL SECTIONAL DETAILS

SHEET #	Drawn by:	Customer	Revisions			<p style="text-align: center;">Window Tech Systems</p> 15 Old Stonebreak Road, Malta, NY 12020 800-999-9855 FAX: 518-899-4104 windowtechsystems.net info@windowtechsystems.net
	Checked by:		No.	Date	Description	
	Date:					
	Scale: 3" = 1'-0"					
Project :						