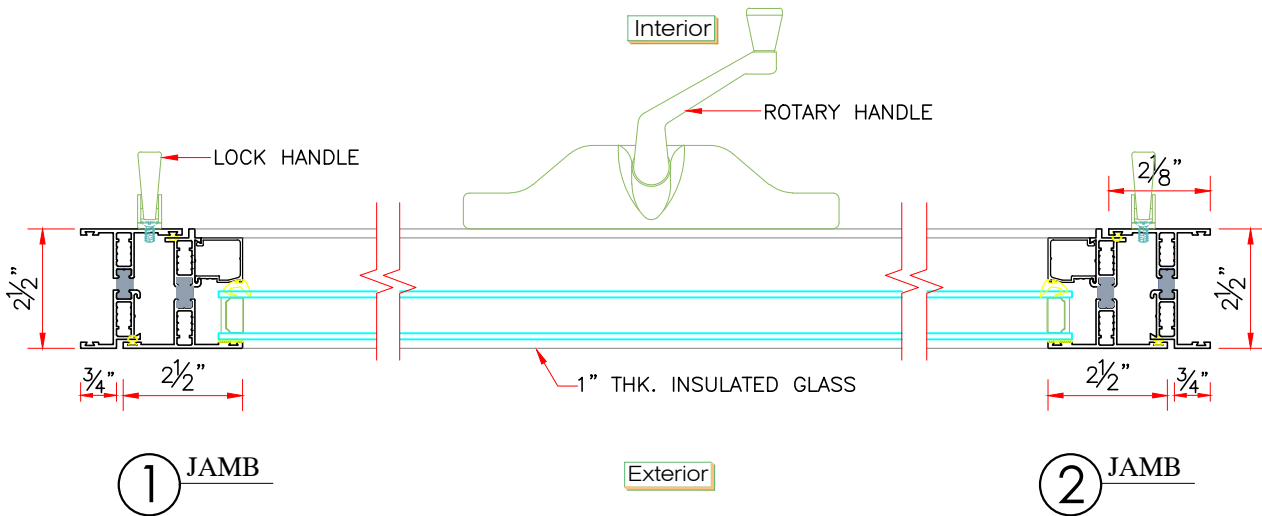
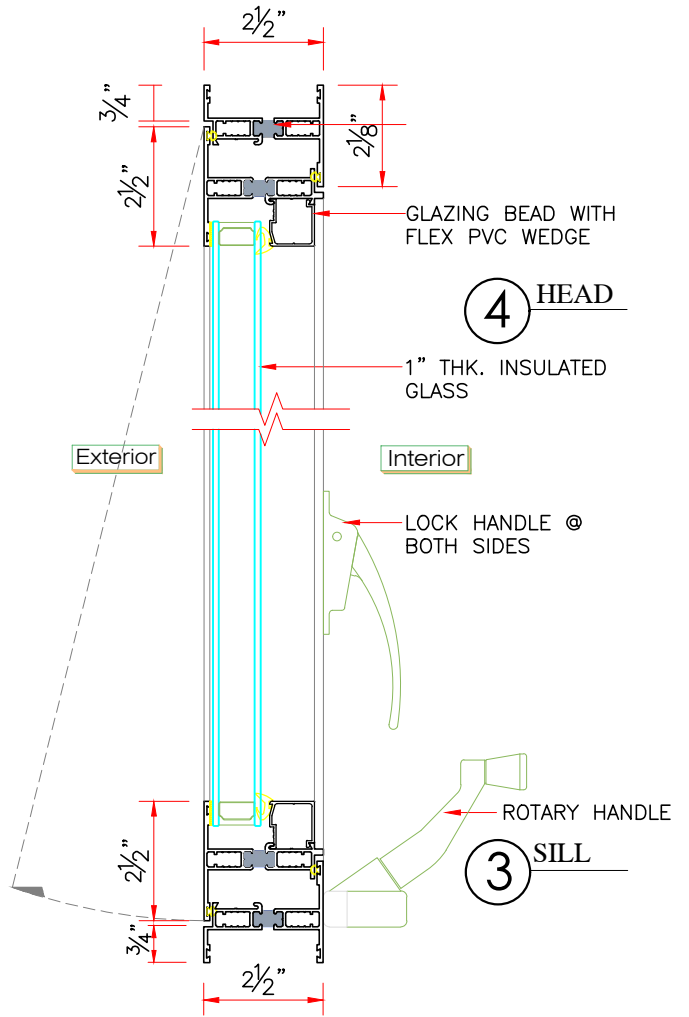


**SERIES 5100**  
**AWNING WINDOW**  
**P-AW100 5'0 x 3'0**



**TYPICAL SECTIONAL DETAILS**

SHEET #	Drawn by:	Customer	Revisions			<b>Window Tech Systems</b> 15 Old Stonebreak Road, Malta, NY 12020 800-999-9855 FAX: 518-899-4104 windowtechsystems.net info@windowtechsystems.net
	Checked by:		No.	Date	Description	
	Date:					
	Scale: 3" = 1'-0"					
Project :						