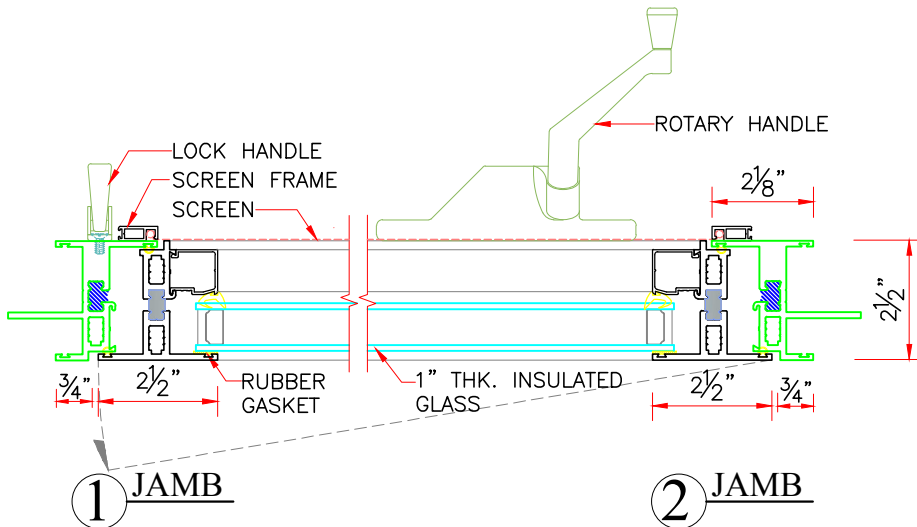
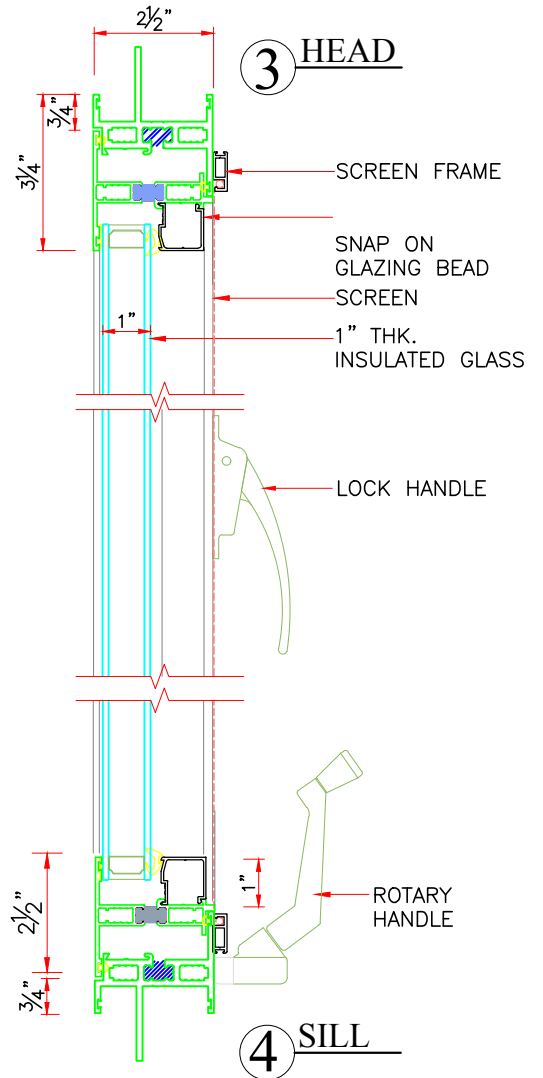


SERIES 5002 OUTSWING  
CASEMENT  
WINDOW W/SCREEN  
C-AW100 3'0 x 5'0



**TYPICAL SECTIONAL  
DETAILS**

SCALE: 3" = 1'-0"

SHEET #	Drawn by:	Customer	Revisions		
	Checked by:		No.	Date	Description
	Date:				
	Scale:				
		Project :			
<p><b>Window Tech Systems, Inc.</b></p> <p>15 Old Stonebreak Road, Malta, NY 12020          TEL: (800)999-9855 FAX: (518)899-4104          info@windowtechsystems.net          www.windowtechsystems.net</p>					