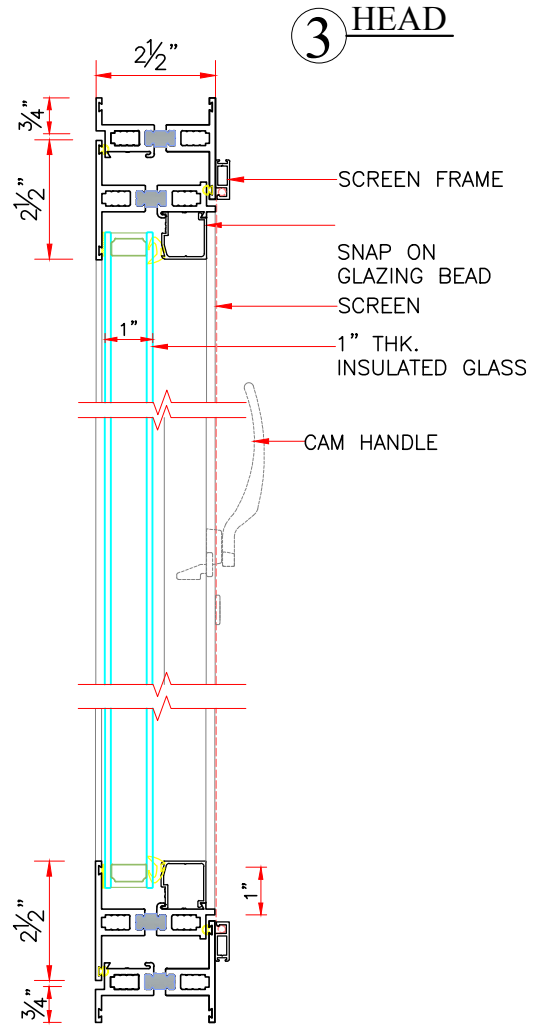
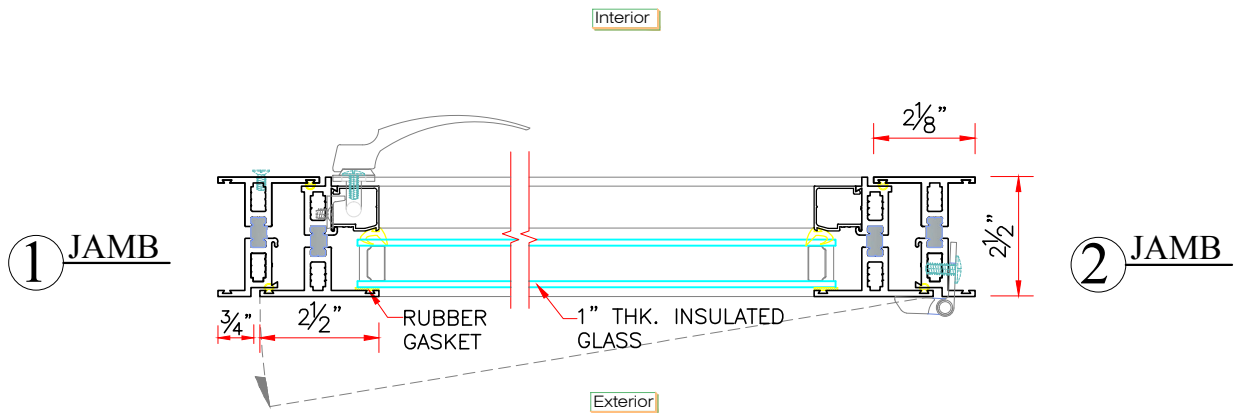


SERIES 5000 OUT-SWING
WITH CAM HANDLE
CASEMENT WINDOW
C-AW100 3'0 x 5'0



4 SILL



TYPICAL SECTIONAL DETAILS

SHEET #	Drawn by:	Customer	Revisions			Window Tech Systems, Inc. 15 Old Stonebreak Road, Malta, NY 12020 TEL: (800)999-9855 FAX: (518)899-4104 info@windowtechsystems.net www.windowtechsystems.net
	Checked by:		No.	Date	Description	
	Date:		Project :			
	Scale: 3" = 1'-0"					