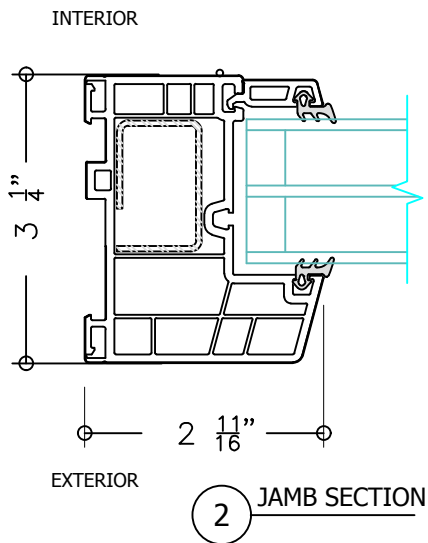
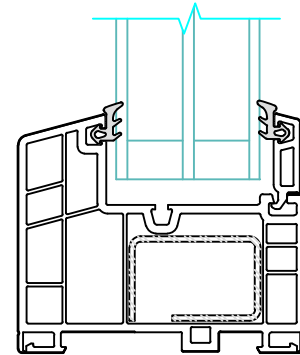
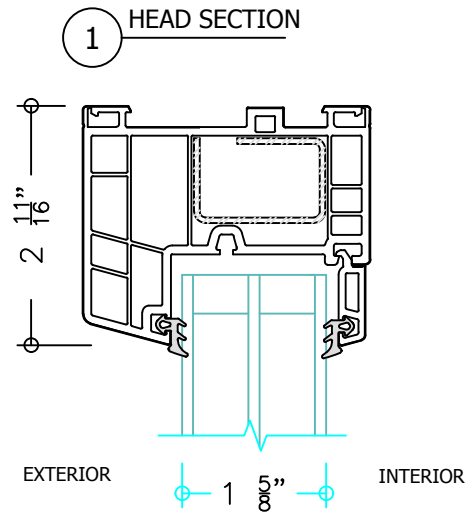


Series 11300
 Fixed uPVC Window
 F-CW-100 (60" x 60")
 3 1/4" Frame Depth



SHEET #	Drawn by:	Customer	Revisions			WINDOW TECH SYSTEMS 15 OLD STONEBREAK ROAD MALTA, NY 12020 800-999-9855 FAX: 518-899-4104 info@windowtechsystems.net
	Checked by:		No.	Date	Description	
	Date:	Project :				
	Scale: 1/2 Scale					