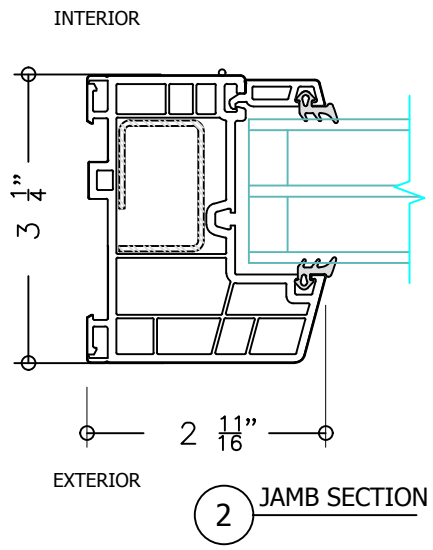
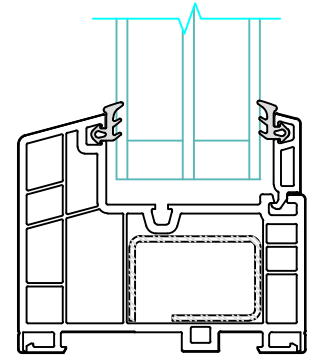
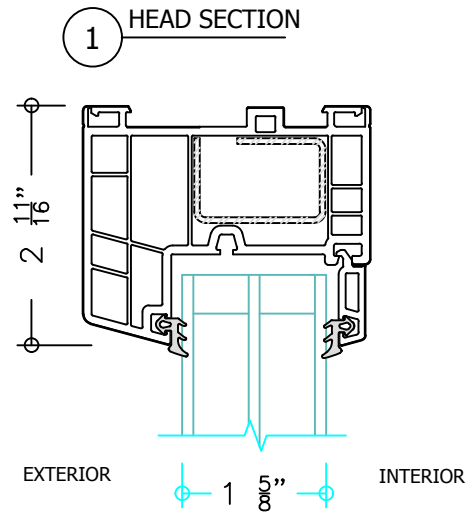


Series 11300
 Fixed uPVC Window
 AW-PG100 (60" x 99")
 3 1/4" Frame Depth



SHEET #	Drawn by:	Customer	Revisions		
	Checked by:		No.	Date	Description
	Date:	Project :			
	Scale: 1/2 Scale				
			WINDOW TECH SYSTEMS 15 OLD STONEBREAK ROAD MALTA, NY 12020 800-999-9855 FAX: 518-899-4104 info@windowtechsystems.net		