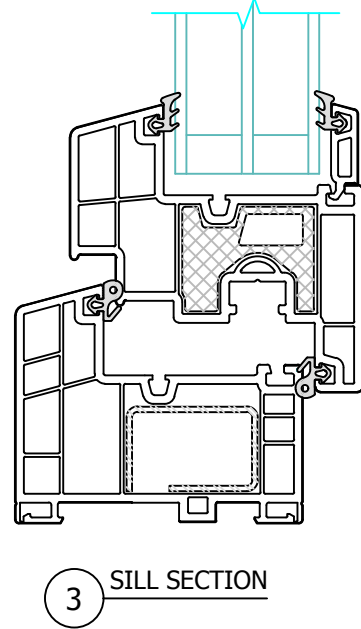
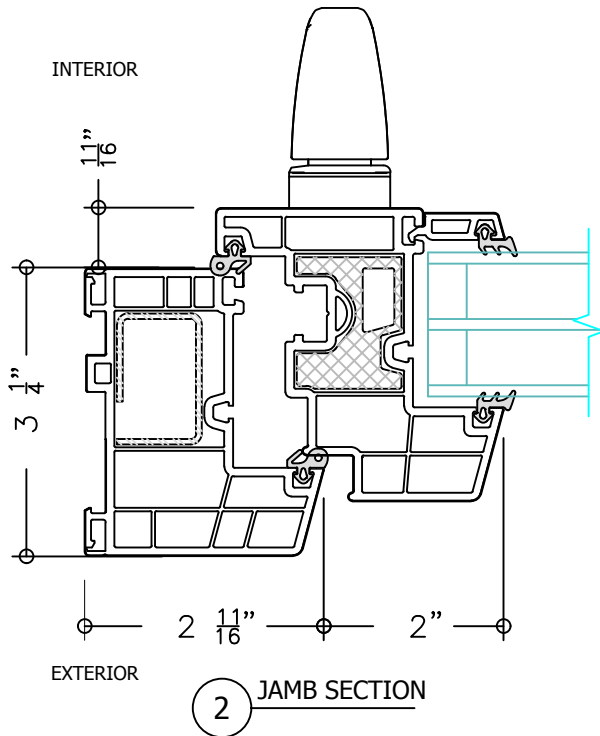
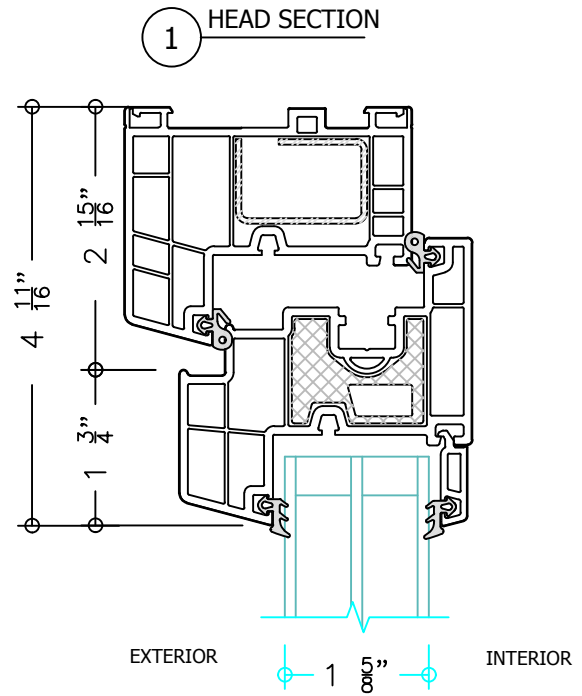


Series 11300  
 Hopper uPVC Window  
 AW-PG100 (60" x 36")  
 3 1/4" Frame Depth



SHEET #	Drawn by:	Customer	Revisions			<b>WINDOW TECH SYSTEMS</b> 15 OLD STONEBREAK ROAD MALTA, NY 12020 800-999-9855 FAX: 518-899-4104 info@windowtechsystems.net
	Checked by:		No.	Date	Description	
	Date:					
	Scale: 1/2 Scale					
		Project :				